

## C-6009 **CHAMPION INDUSTRIAL SPARK PLUG**

Tenneco is proud to introduce our new Champion® branded M18 J-Gap series with Double Iridium electrodes. The C-6009 is a high performance industrial spark plug developed for usage in natural gas engines in stationary power generation and gas transmission applications.

These plugs are newly designed to offer superior lifetime and durability in stationary gas-operated industrial engines. Improved ceramic and enhanced electrode design help end-users meet increasing demands placed on gas engines, such as reduced downtime and stricter emissions requirements.

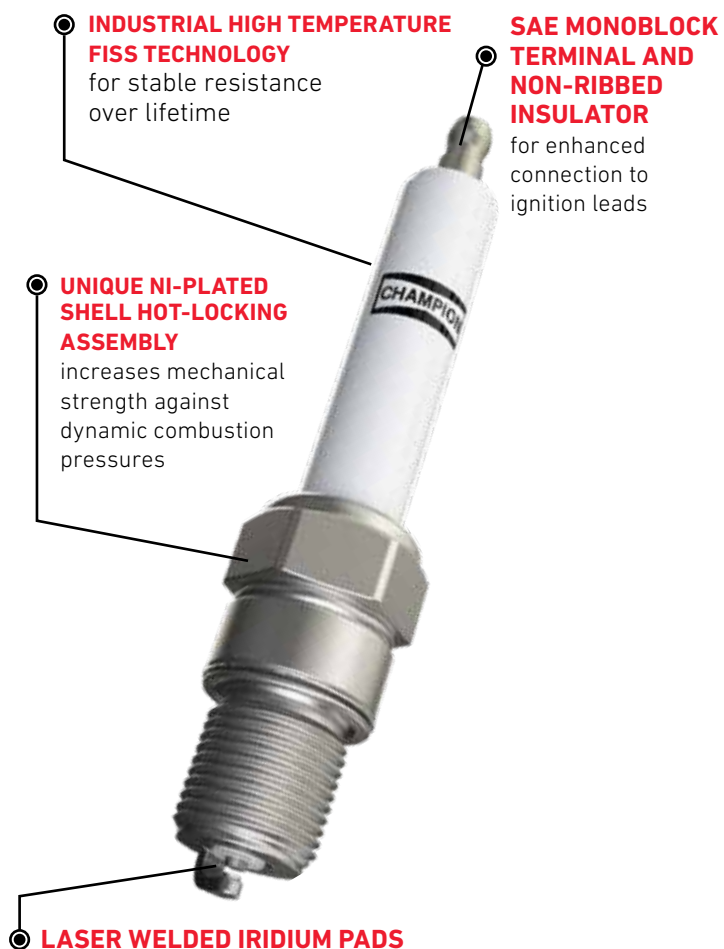
THERE'S A

**CHAMPION**

IN HERE



# C-6009



## Electrode Gap, Nom.

0,2mm 0,25mm 0,3mm

## Electrode Resistance

2 kΩ 3 - 12 kΩ 16 kΩ

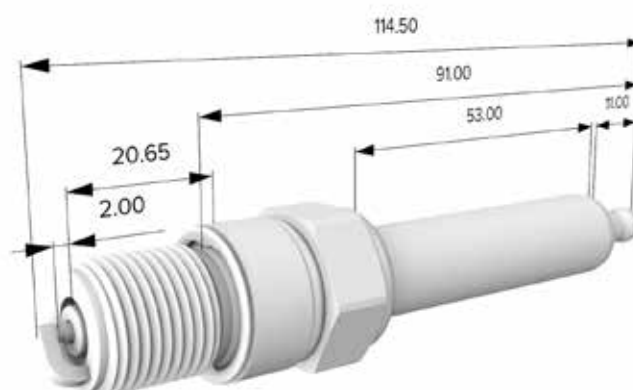
Federal-Mogul Ignition GmbH  
Bürgermeister-Schmidt-Str. 17  
51399 Burscheid, Germany  
<https://ignition.tenneco.com>

© 2022 Tenneco Inc. All rights reserved. All trademarks are owned by Tenneco Inc. or one of its subsidiaries, in one or more countries. C-6009

## Basic Technical Data

| Properties                    | C-6009           |
|-------------------------------|------------------|
| Suppressor Resistor           | 3 - 12 kΩ        |
| Hex                           | 22.2mm / 7/8"    |
| Thread                        | M18x1.5          |
| Thread length                 | 20.6 mm / 13/16" |
| Precious metals               | Iridium/Iridium  |
| Electrode gap                 | nom. 0.25        |
| Tightening Torque (Cast iron) | 40-50Nm          |

## Dimensions



## Target Applications

- Stationary Biogas or Natural Gas Engines

## Engines

- Caterpillar, Cummins, Waukesha

## Cross References

- Denso GI3-1 , Denso GI3-5, NGK AS2-25, Bosch 7305