

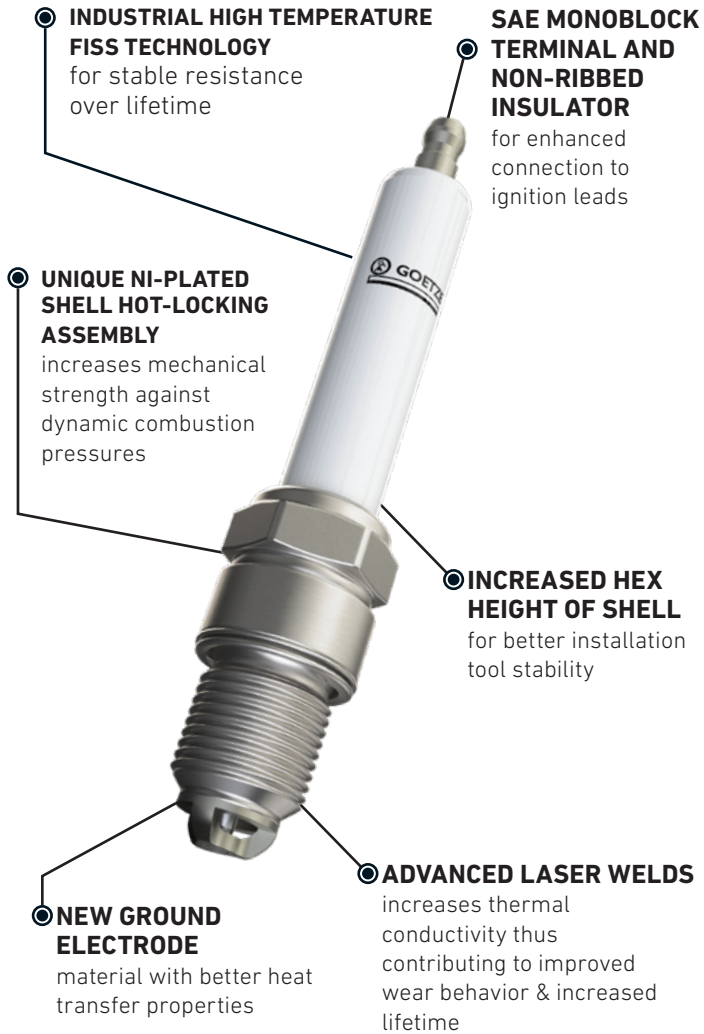
GOETZE[®]

G-6008 INDUSTRIAL SPARK PLUG

The newly designed spark plug is developed for all kind of combustion operations where lean burn or ultra-lean burn conditions with low NOx levels are required. The new massive electrode configuration of the spark plug generates long service intervals under extreme temperature and harsh environments.

With its HEX size of 21mm the spark plug fits well into cylinder heads with limited clearance around the spark plug to the cylinder head bore. Ideal for engines, fueled by Natural Gas and Biogas, where the end user is looking for a suitable and capable OE replacement spare part.

G-6008



Lifetime*

6.000 h
10.000 h

Electrode Gap, Nom.

0.2 mm
0.3 mm
0.5 mm

Electrode Resistance

2 kΩ
3 - 12 kΩ
16 kΩ

* Lifetime depends on operating conditions including, but not limited to: fuel, duty cycle/load, ignition system, and environmental conditions.

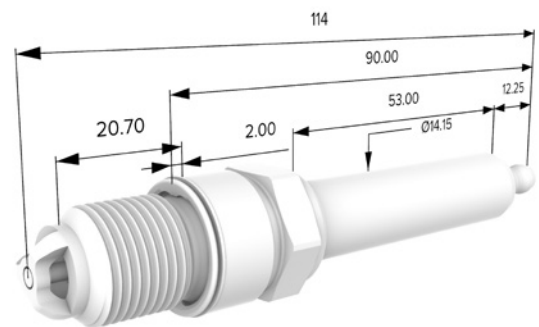
Federal-Mogul Ignition GmbH
Bürgermeister-Schmidt-Str. 17
51399 Burscheid, Germany
<http://www.ignition.tenneco.com>

© 2022 Tenneco Inc. All rights reserved. All trademarks are owned by Tenneco Inc. or one of its subsidiaries, in one or more countries. G-6008 Rev 01/2023

Basic Technical Data

Properties	G-6008
Suppressor Resistor	3 - 12 kΩ
Hex	20.8 mm
Thread	M18 x 1.5
Thread length	20.70 mm
Precious metals	Iridium
Electrode gap	nom. 0.3
Tightening Torque (Cast iron)	50-60 Nm (37-44 lbf ft) w/o lubricant
Lifetime*	~ 6.000 hours

Dimensions



Target Applications

- Industrial stationary engines
- Power generation/CHP
- Open chamber combustion engines
- Natural Gas
- Biogas

Engines

- MAN E28, MAN E3262 E3XX, MAN E326X LE
- Cummins QSV
- WAUKESHA 69919 A and WAUKESHA 69919 C
- Guascor Engines

Cross References

Federal-Mogul:

- 18GZ5-77-2
- 18 GZ 4-77