

**GOETZE**<sup>®</sup>

## **G-6013 INDUSTRIAL SPARK PLUG**

The Bridge Design of this high-performance industrial spark plug developed to match the specific needs of increased start-stop operation.

In combination with its dual iridium electrodes and our patented advanced weld process, the new G-6013 spark plug is set to achieve more than two times the service life compared to traditional J-gap designs.

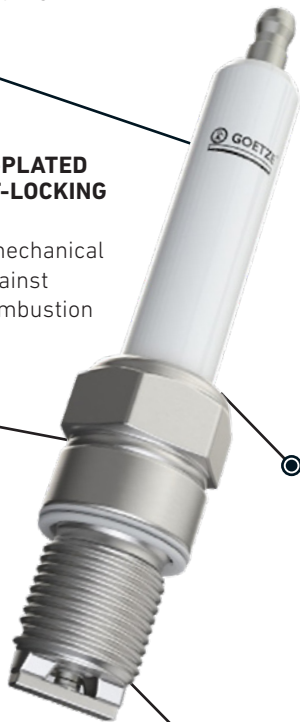
G-6013 is ideally suited for application in large bore pre-chamber gas engines, both active and passive, where high load and high temperature operating conditions are prevalent.

The fixed gap provided by the new Bridge design does not move even under extreme thermal cycling conditions, thus eliminating the need for any re-gapping procedures.

# G-6013

● **INDUSTRIAL HIGH TEMPERATURE FISS TECHNOLOGY**  
for stable resistance over lifetime

● **UNIQUE NI-PLATED SHELL HOT-LOCKING ASSEMBLY**  
increases mechanical strength against dynamic combustion pressures



● **INCREASED HEX HEIGHT OF SHELL**  
for better installation tool stability

● **ADVANCED LASER WELDS**  
increases thermal conductivity thus contributing to improved wear behavior & increased lifetime

## Lifetime\*

**2000 h**

**4000 h**

## Electrode Gap, Nom.

**0.2 mm**

**0.3 mm**

**0.5 mm**

## Electrode Resistance

**2 kΩ**

**3 - 12 kΩ**

**16 kΩ**

\* Lifetime depends on operating conditions including, but not limited to: fuel, duty cycle/load, ignition system, and environmental conditions.

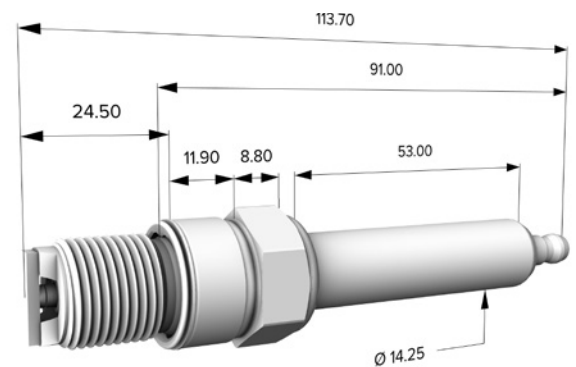
Federal-Mogul Ignition GmbH  
Bürgermeister-Schmidt-Str. 17  
51399 Burscheid, Germany  
<http://www.ignition.tenneco.com>

© 2022 Tenneco Inc. All rights reserved. All trademarks are owned by Tenneco Inc. or one of its subsidiaries, in one or more countries. G-6013 Rev.00/2023

## Basic Technical Data

Properties	G-6013
Suppressor Resistor	3 - 12 kΩ
Hex	22.2mm (7/8")
Thread	M18 x 1.5
Thread length	20.1 mm
Precious metals	Iridium/Iridium
Electrode gap	nom. 0.3
Tightening Torque (Cast iron)	50-60 Nm (37-44 lbf ft) w/o lubricant
Lifetime*	4000h

## Dimensions



## Target Applications

- Industrial stationary engines
- Natural Gas

## Engines

- Caterpillar 3520B, GCM34
- Bergen Engines B-C Engine
- Wärtsilä 31SG, 34SG, 50SG
- HHI H35, 40GV
- MAN ES V35 44SG

## Cross References

### Wärtsilä:

- PABA209982

### Bergen Engines:

- 710875

### Federal-Mogul:

- FB78WW